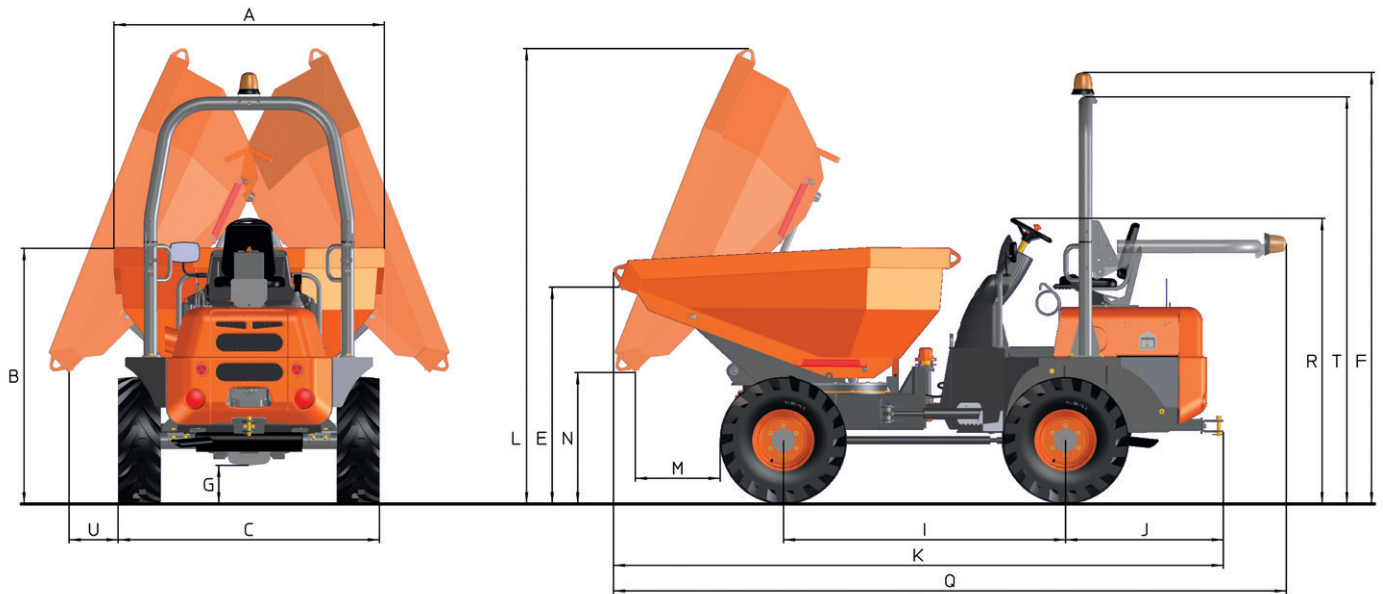




TECHNICAL DATA

GENERAL		D 350 AHG
Unloading system		Rotating
Load capacity	lb	7,700
Chassis		Articulated and oscillating
Water hopper capacity	cu yd	1.33
Level hopper capacity	cu yd	2.34
Heaped hopper capacity	cu yd	2.78
Empty weight	lb	6,130
Transmission		Hydrostatic
ENGINE		
Brand		KUBOTA
Model		D1803-CR-T-E5B
Power	hp	44
Operating speed	rpm	2400
Torque	Nm@rpm	150,5@1500
No. of cylinders		3
Emissions		Stage V - EPA Tier4f
Noise	dB(A)	101
DRIVING		
Max. speed	mph	13
Maximum gradient	%	54
External turning radius	in	178
Traction		4x4
Tyres		11.5/80-15.3
HYDRAULIC SYSTEM		
Main pump		0.73 cc in gear pump
Flow rate	gal/min	8.2
Working pressure	bar	110
TANK CAPACITY		
Fuel	gal	11.6
Hydraulic system	gal	10.5
BRAKES		
Service		Sealed brakes with multiple discs in oil. Hydraulic drive
Parking		Sealed brakes with multiple discs in oil. Mechanical drive

DIMENSIONS



DIMENSIONS (in)

D 350 AHG

DIMENSIONS (in)	D 350 AHG
A	72.9
B	68.1
C	72.6
E	56.5
F	115.4
G	10.0
I	77.2
J	40.9
K	164.6
L	121.5
M	22.2
N	36.2
Q	181.3
R	76.0
T	108.9
U	12.6



www.ausa.com

Products are subject to modifications without prior notice. Images throughout the spec sheet may refer to non-standard machines or non-available configurations depending on models.

AUSA's logo and corporate identity are property of the Company, they cannot be used without authorization.